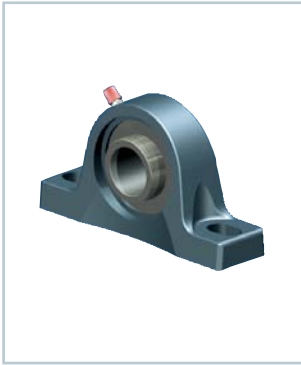
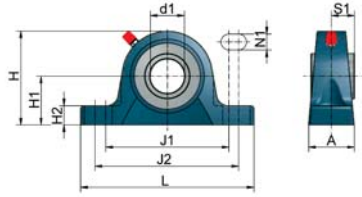


Pedestal bearing, shaft extension



Pedestal bearing STL
for connecting shaft VWZ

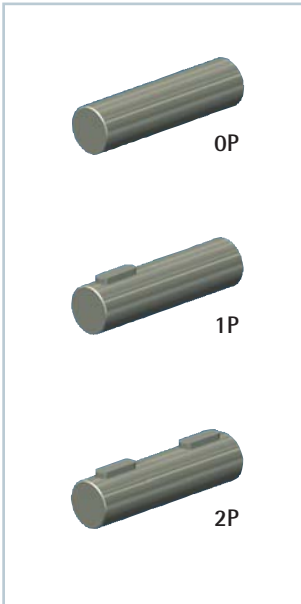
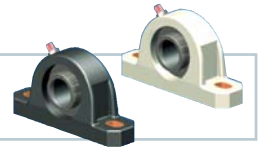


Part no.	d1	A	H	H1	H2	J1	J2	L	N1	S1	kg
STL-15-G	15	32	56	30.2	14	88	106	127	11.5	15.3	0.47
STL-20-G	20	32	65	33.3	14	88	106	127	11.5	18.3	0.59
STL-30-G	30	40	82.5	42.9	17	108	127	152	14	22.2	1.10
STL-40-G	40	48	99	49.2	19	125	146	175	14	30.2	1.85
STL-50-G	50	54	114.5	57.2	22	149	165	203	18	32.6	2.70

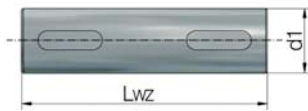
We use high-quality pedestal bearings.
Housing material: Grey cast iron, primed in blue
Bearing material: Roller bearing steel
Temperature range: -30°C to +120°C



Pedestal bearings of plastic "black" or "white" (foodstuffs applications) on request.
CAUTION: Dimensions may change!



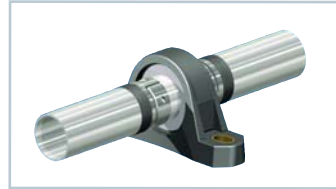
Shaft extension



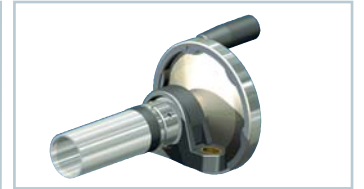
Material: Steel, ground

Part no.	d1	Lwz	kg
WZ-15/74-?P	15	74	0.10
WZ-20/76-?P	20	76	0.19
WZ-20/102-?P	20	102	0.25
WZ-30/130-?P	30	130	0.72
WZ-40/170-?P	40	170	1.67
WZ-50/170-?P	50	170	2.61

Examples:



VWZ with rigid hub, for pedestal bearings



Pedestal bearing with handwheel for driving the VWZ shaft

Shaft extension without fitted key (OP)

Shaft extensions with fitted key at one end (1P)



ZIMM VWZ shafts of 500 mm length and more are checked for concentricity as standard!

