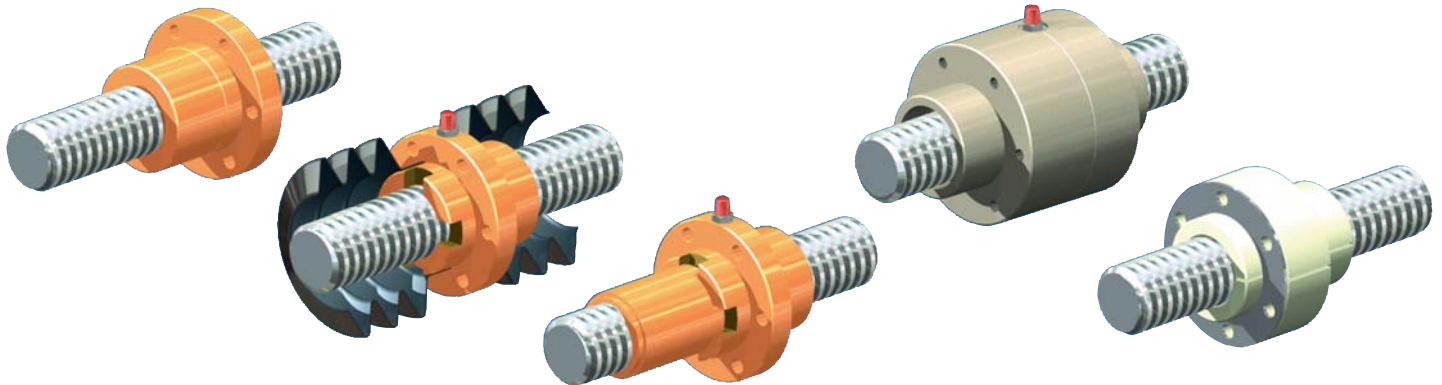


Nuts for rotating version R



Flange nut FM
Standard nut for simple applications

Duplex nut DM
- Bellows can be attached both sides
- Uniform \varnothing on gearbox neck, nut and opposed bearing plate
- Grease nipple or connection to central lubrication or lubricator

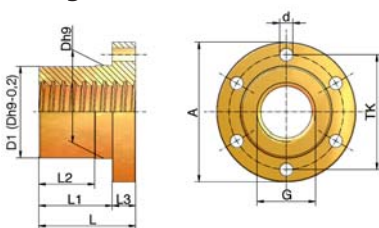
Safety nut SIFA
In combination with duplex nut or self-aligning nut.
For function and application see Sections 2+3

Self-aligning nut PM
- Angular compensation up to max. 3°
- Bellows can be attached both sides
- Uniform \varnothing on gearbox neck, nut and opposed bearing plate
- Grease nipple or connection to central lubrication or lubricator

Greaseless nut FFDM
- Specially suitable for dry running (such as textiles, foodstuffs, chemicals,...)
- Bellows can be attached both sides
- Reinforced with a stainless steel washer



Flange nut Z-..-FM



Part no.	G	D1* Dh9	TK	A	d (6x)	L	L1	L2	L3	kg
GSZ-2-FM	Tr 16x4	28	38	48	6	35	23	15	12	0.25
Z-5-FM	Tr 18x4	28	38	48	6	35	23	15	12	0.23
Z-10-FM	Tr 20x4	32	45	55	7	44	32	24	12	0.35
Z-25-FM	Tr 30x6	38	50	62	7	46	32	24	14	0.41
Z-35/50-FM	Tr 40x7	63	78	95	9	66	50	38	16	1.71

Identical to the previous MSZ type
Material: 2.1090.01 (RG7 bronze)
Quality: 7H DIN 103
Right-handed (left-handed, double-pitch on request)

*D1=Dh9-0.2 mm

Option: Plastic nut
GSZ-2-FM-K
Material: High-performance polymer

