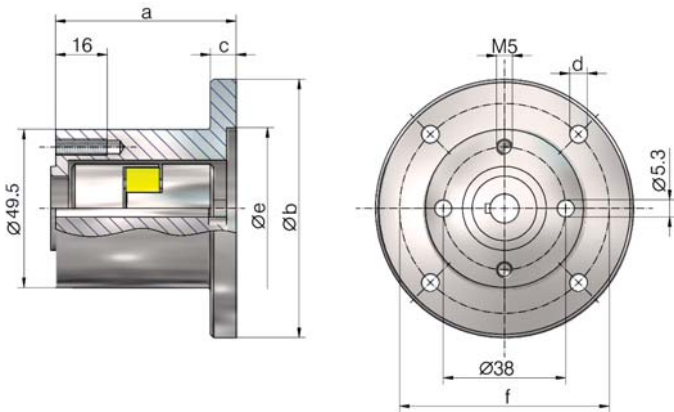
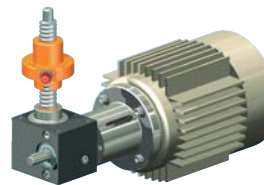
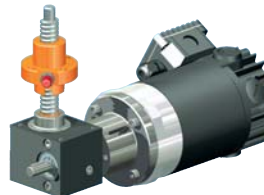
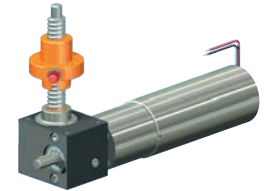




### Motor flange GSZ-2



Material: Hard anodised aluminium  
Incl. screws\*\*

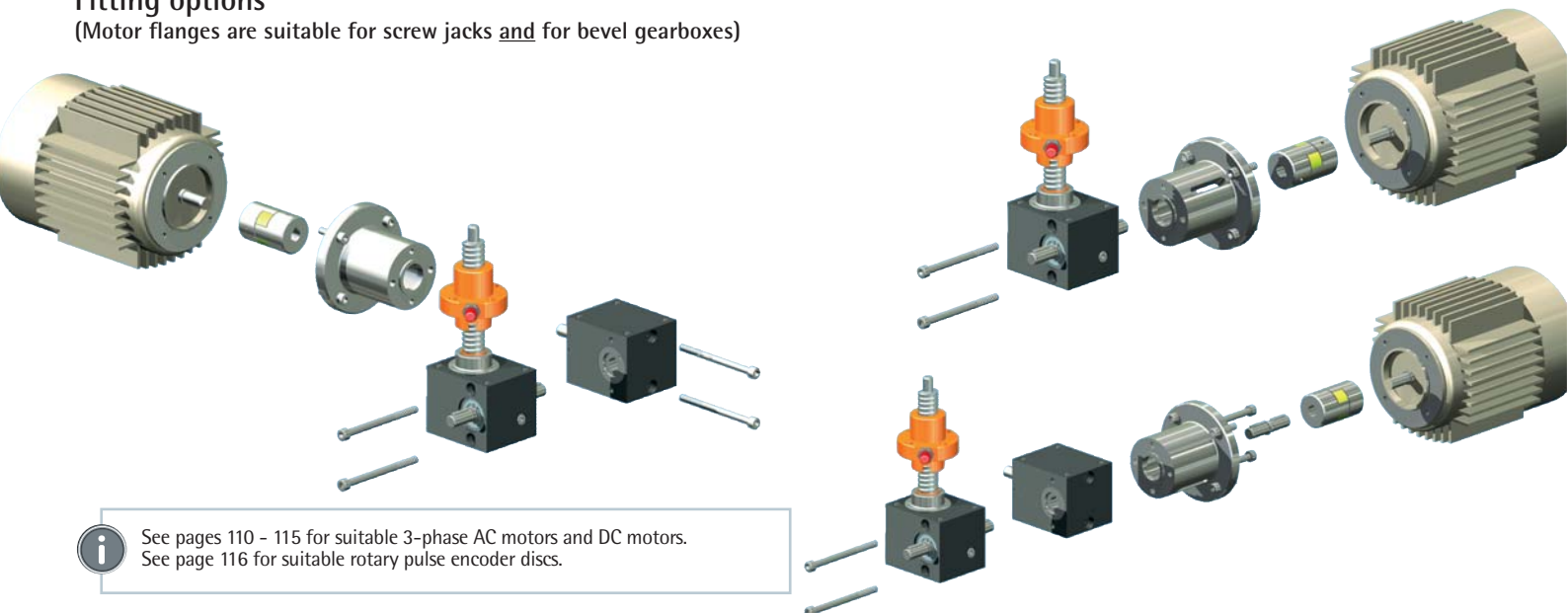


Motor flange Part no.	Motor type	Coupling part no.		2 of screws gearbox side DIN 912 (according to fitting)**	4 of screws motor side DIN 912 incl. spring washers	a	Øb	c	Ød	Øe	Øf	kg
		Size	Bore Ø Gearbox Motor									
GSZ-2-MF-49-51*	Ø53	KUZ-09	- 9 / 6	M5x55, M5x70	M4x30	51	49	-	4.3	25	36	0.19
GSZ-2-MF-80-51	56 B14C	KUZ-09	- 9 / 9	M5x55, M5x70	M5x20	51	80	9	5.5	50	65	0.22
GSZ-2-MF-80-41+P-120-15	63 B14B	KUZ-14	- 9 / 11	M5x55, M5x70, M5x45	M6x25	56	120	15	6.6	80	100	0.55
GSZ-2-MF-80-51+P-105-15	71 B14C	KUZ-14	- 9 / 14	M5x55, M5x70	M6x20	66	105	15	6.6	70	85	0.45

\*GSZ-2-MF-49-51 is suitable only for GSZ-2 screw jacks, bevel gearboxes available for KSZ-2 on request  
\*\*Screws are included for all the various fitting options

### Fitting options

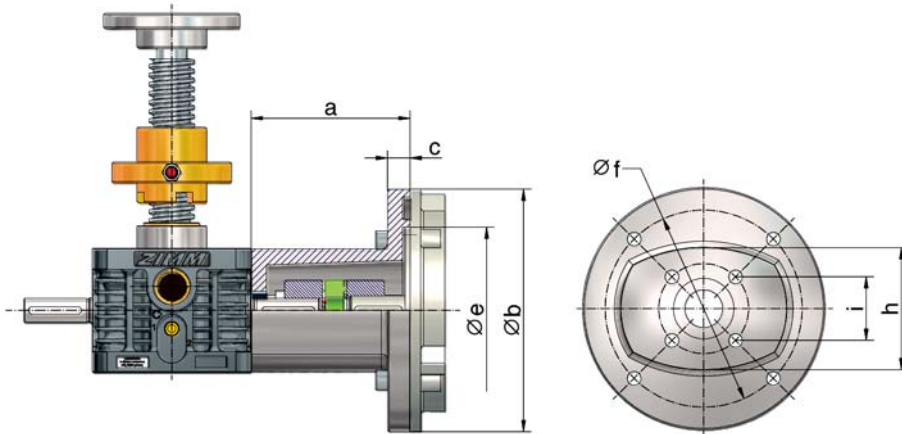
(Motor flanges are suitable for screw jacks and for bevel gearboxes)



See pages 110 - 115 for suitable 3-phase AC motors and DC motors.  
See page 116 for suitable rotary pulse encoder discs.

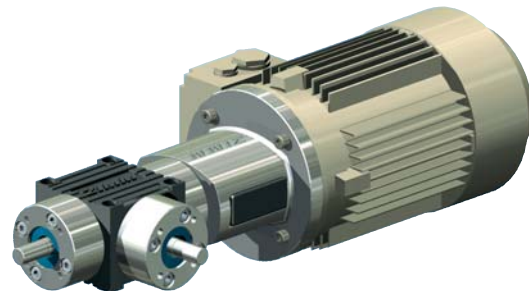
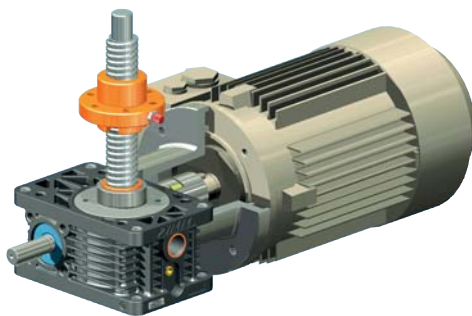


## Motor flange Z-5 to Z-25

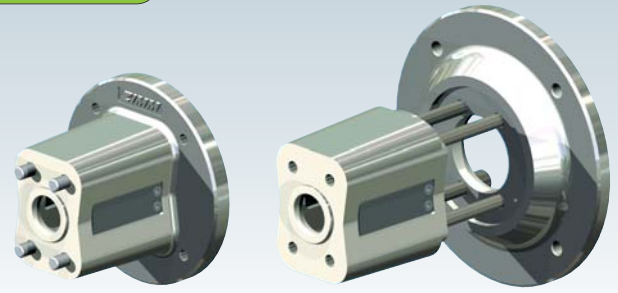


Material: Aluminium  
Incl. screws

Motor flange Part no.	Motor type	Coupling part no.		4 of screws gearbox side 8.8	4 of socket head cap screws 8.8 DIN 912 for motor	a	b	c	e	f	h	i	kg
		Size	Bore Ø										
Z-5-MF-120-60	63 B14B	KUZ-14	- 11 / 11	M6x12 - DIN 7991	M6x20 + spring washers	60	120	10	80	100	61	32.5	0.33
Z-5-MF-105-68	71 B14C	KUZ-19	- 11 / 14	M6x12 - DIN 7991	M6x20 + spring washers	68	105	10	70	85	61	32.5	0.31
Z-10-MF-120-66	63 B14B	KUZ-19	- 14 / 11	M8x16 - DIN 7991	M6x20 + spring washers	66	120	10	80	100	73	35.4	0.42
Z-10-MF-160-75	71 B5	KUZ-19	- 14 / 14	M8x16 - DIN 7991	M8x35 + nuts	75	160	15	110	130	73	35.4	0.81
Z-10-MF-160-90	80 B14B	KUZ-24	- 14 / 19	M8x16 - DIN 7991	M8x30 + spring washers	90	160	15	110	130	73	35.4	0.88
Z-25-MF-160-105	71 B5	KUZ-28	- 16 / 14	M8x20 - DIN 7991	M8x35 + nuts	105	160	15	110	130	81	42	1.11
Z-25-MF-160-105	80 B14B	KUZ-24	- 16 / 19	M8x20 - DIN 7991	M8x30 + spring washers	105	160	15	110	130	81	42	1.11
Z-25-MF-160-105	90 B14B	KUZ-24	- 16 / 24	M8x20 - DIN 7991	M8x30 + spring washers	105	160	15	110	130	81	42	1.11
Z-25-MF-160-122	100 B14C	KUZ-28	- 16 / 28	M8x20 - DIN 7991	M8x30 + spring washers	122	160	15	110	130	81	42	1.25

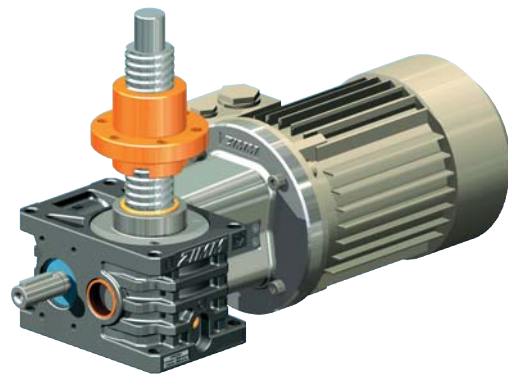
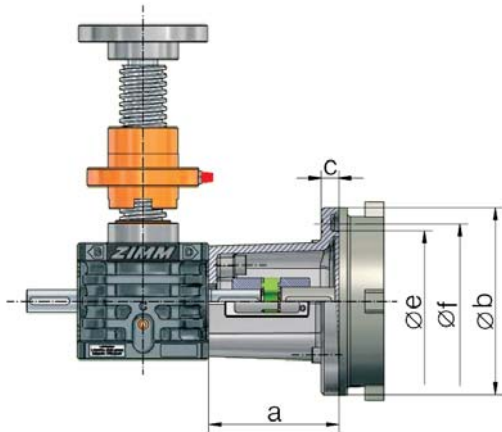


**i** Motor flange for Z-5 to Z-50 are also suitable for bevel gearboxes KSZ and KGZ.

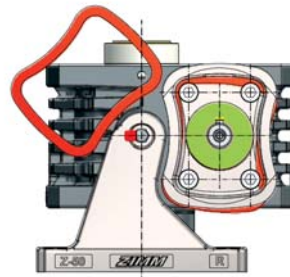
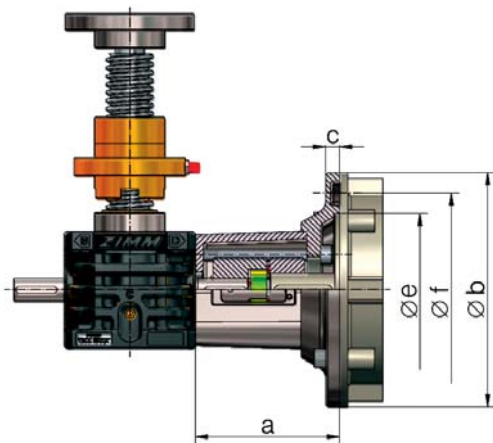


## Motor flange for Z-35 to Z-150



### Motor flange (one-piece)



### Motor flange base + motor flange plate



Material: GGG-50, corrosion-resistant  
Incl. screws

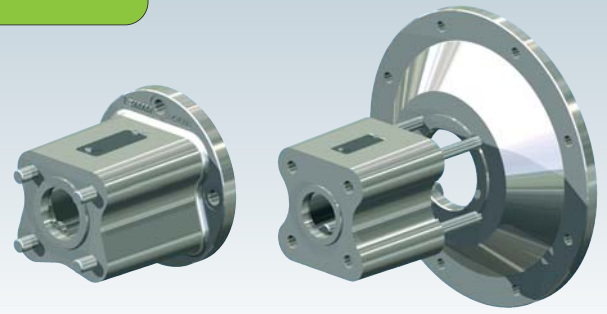
Motor flange Part no. 	Motor type	Coupling part no. 		4 of screws gearbox side DIN 912	4 of screws motor side DIN 912	a	b	c	e	f	kg
		Size	Bore Ø Gearbox Motor								
Z-35-MF-160-111	80 B14B	KUZ-24	- 19 / 19	M10x30	M8x25 <sup>1)</sup>	111	160	15	110	130	2.6
Z-35-MF-160-111	90 B14B	KUZ-24	- 19 / 24	M10x30	M8x25 <sup>1)</sup>	111	160	15	110	130	2.6
Z-35-MF-B + Z-35-MF-P-200	100 B14B	KUZ-28	- 19 / 28	M10x120	M10x30 <sup>1)</sup>	123	200	12	130	165	3.6
Z-35-MF-B + Z-35-MF-P-200	112 B14B	KUZ-28	- 19 / 28	M10x120	M10x30 <sup>1)</sup>	123	200	12	130	165	3.6
Z-35-MF-B + special plate	servomotors, geared motors, Nema motors,...										
Z-50-MF-200-116	90 B5	KUZ-28	- 20 / 24	M10x30	M10x45 <sup>2)</sup>	116	200	20	130	165	4.1
Z-50-MF-200-126	100 B14B	KUZ-28	- 20 / 28	M10x30	M10x35 <sup>1)</sup>	126	200	20	130	165	4.3
Z-50-MF-200-126	112 B14B	KUZ-28	- 20 / 28	M10x30	M10x35 <sup>1)</sup>	126	200	20	130	165	4.3
Z-50-MF-B + special plate	servomotors, geared motors, Nema motors,...										
Z-100/150-MF-200-138	100 B14B	KUZ-28	- 25 / 28	M12x40 <sup>4)</sup>	M10x35 <sup>1)</sup>	138 <sup>3)</sup>	200	20	130	165	5.2
Z-100/150-MF-200-138	112 B14B	KUZ-28	- 25 / 28	M12x40 <sup>4)</sup>	M10x35 <sup>1)</sup>	138 <sup>3)</sup>	200	20	130	165	5.2
Z-100/150-MF-B + P-200	132 B14C	KUZ-38	- 25 / 38	M12x150 <sup>4)</sup>	M10x65 <sup>1)</sup>	161 <sup>3)</sup>	200	48	130	165	8.7
Z-100/150-MF-B + special plate	servomotors, geared motors, Nema motors,...										

<sup>1)</sup> incl. spring washers

<sup>2)</sup> incl. nuts

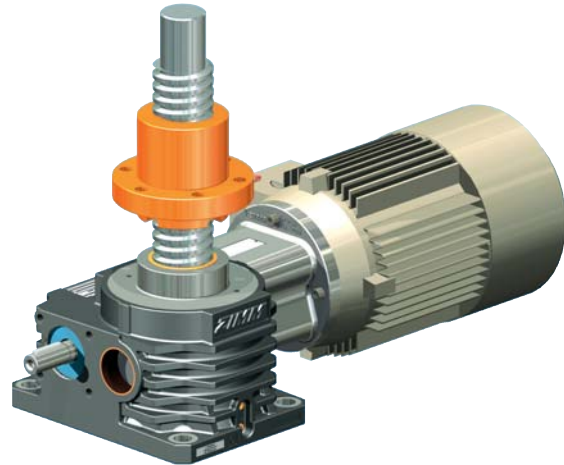
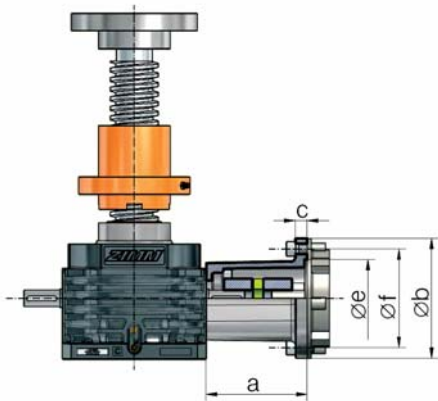
<sup>3)</sup> for GSZ: +6 mm (plate)

<sup>4)</sup> for GSZ: M12x45/M12x160

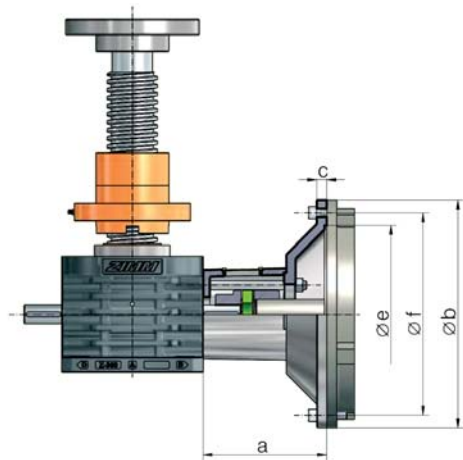


## Motor flange Z-250 to Z-1000

### Motor flange (one-piece)



### Motor flange base + motor flange plate



Material: GGG-50, corrosion-resistant  
Incl. screws

Motor flange Part no.	Motor type	Coupling part no. Size	Bore Ø Gearbox Motor	4 of screws gearbox side DIN 912	4 of screws motor side DIN 912	a	b	c	e	f	kg
Z-250-MF-200-168	100 B14B	KUZ-38	- 28L / 28L	M16x55	M10x40 <sup>1)</sup>	168	200	20	130	165	8.5
Z-250-MF-200-168	112 B14B	KUZ-38	- 28L / 28L	M16x55	M10x40 <sup>1)</sup>	168	200	20	130	165	8.5
Z-250-MF-200-168	132 B14C	KUZ-38	- 28 / 38	M16x55	M10x40 <sup>1)</sup>	168	200	20	130	165	8.5
Z-250-MF-200-168 + P-350	160 B5	KUZ-45	- 28 / 42	M16x55	M16x70 <sup>2)</sup>	198	350	30	250	300	20.5
Z-250-MF-200-168 + P-350	180 B5	KUZ-55	- 28 / 48	M16x55	M16x70 <sup>2)</sup>	198	350	30	250	300	20.5
Z-250-MF-200-168 + P-400	200 B5	KUZ-55	- 28 / 55	M16x55	M16x70 <sup>2)</sup>	200	400	32	300	350	25
Z-250-200-168 -MF-B + special plate	servomotors, geared motors, Nema motors,...										
Z-350-MF-B + P-350	180 B5	KUZ-55	- 38 / 48	4x M18 <sup>3)</sup>	M16x60 <sup>2)</sup>	211	350	19	250	300	24
Z-350-MF-B + P-400	200 B5	KUZ-55	- 38 / 55	4x M18 <sup>3)</sup>	M16x60 <sup>2)</sup>	211	400	19	300	350	27
Z-350-MF-B + P-450	225 B5	KUZ-60	- 38 / 60 <sup>4)</sup>	4x M18 <sup>3)</sup>	M16x60 <sup>2)</sup> (8x)	243	450	19	350	400	33
Z-350-MF-B + special plate	servomotors, geared motors, Nema motors,...										
Z-500-MF-B + P-400	200 B5	KUZ-55	- 40 / 55	5x M20 <sup>3)</sup>	M16x60 <sup>2)</sup>	251	400	19	300	350	32
Z-500-MF-B + P-450	225 B5	KUZ-60	- 40 / 60 <sup>4)</sup>	5x M20 <sup>3)</sup>	M16x60 <sup>2)</sup> (8x)	285	450	19	350	400	40
Z-500-MF-B + P-550	250 B5	KUZ-70	- 40 / 65 <sup>4)</sup>	5x M20 <sup>3)</sup>	M16x70 <sup>2)</sup> (8x)	285	550	21	450	500	55
Z-500-MF-B + special plate	servomotors, geared motors, Nema motors,...										

<sup>1)</sup> incl. spring washers

<sup>2)</sup> incl. nuts and spring washers

<sup>3)</sup> set screws 8.8 with nuts and spring washers

<sup>4)</sup> from size 225 check the shaft diameter, it can vary depending on the motor (these diameters should be suitable for 4, 6 and 8-pole motors)



Motor flange for Z-750 and Z-1000 on request