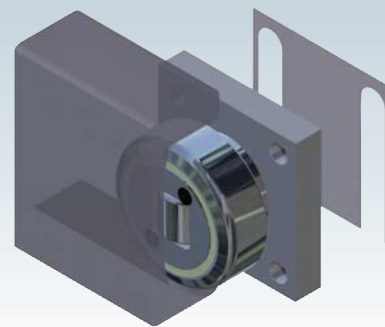
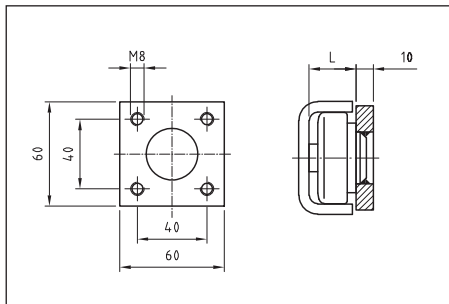


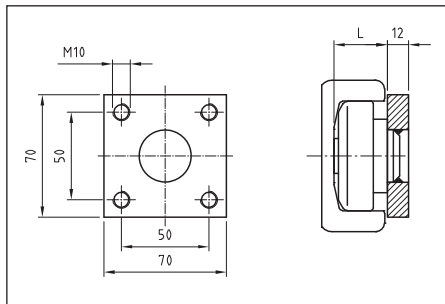
The square attachment element is welded to the respective combination bearing as an assembly.  
Special dimensions on request.



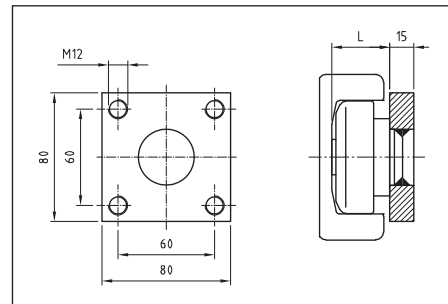
Attachment element, square



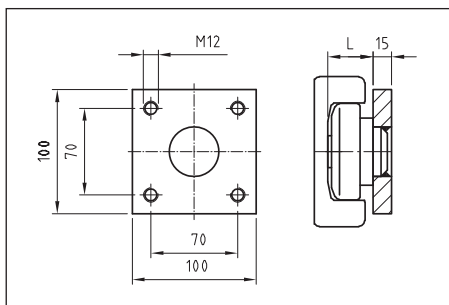
Bearing /profile: ZTR 050.---/ZBQ 1000 Shim: ZBQ 050.---



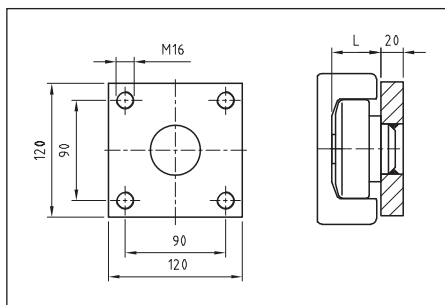
Bearing /profile: ZTR 060.---/ZBQ 1000 Shim: ZBQ 060.---



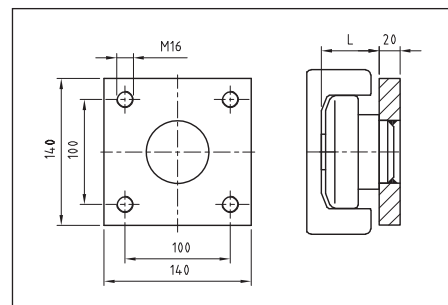
Bearing /profile: ZTR 070.---/ZBQ 1000 Shim: ZBQ 070.---



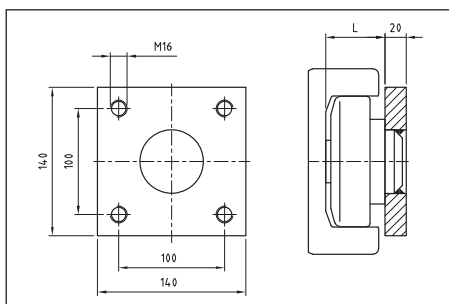
Bearing /profile: ZTR 080.---/ZBQ 1000 Shim: ZBQ 080.---



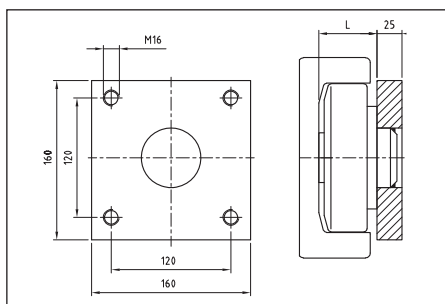
Bearing /profile: ZTR 090.---/ZBQ 1000 Shim: ZBQ 090.---



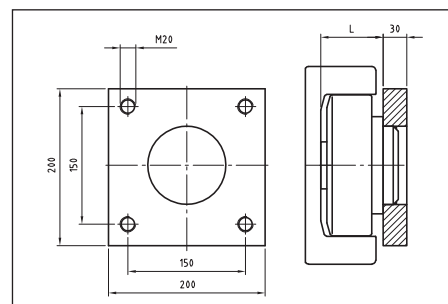
Bearing /profile: ZTR 110.---/ZBQ 1000 Shim: ZBQ 110.---



Bearing /profile: ZTR 120.---/ZBQ 1000 Shim: ZBQ 120.---



Bearing /profile: ZTR 150.---/ZBQ 1000 Shim: ZBQ 150.---



Bearing /profile: ZTR 180.---/ZBQ 1000 Shim: ZBQ 180.---

Shims:



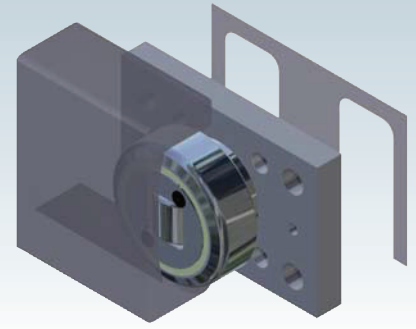
ZBQ ---.1405 (0.5mm thick)  
ZBQ ---.1410 (1.0 mm thick)



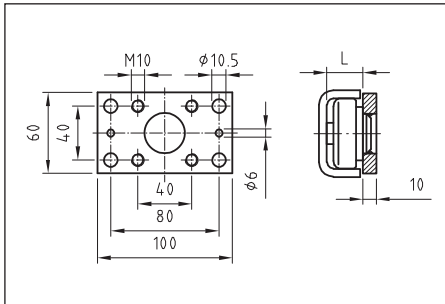
Ordering example:

ZTR 070.0200 / ZBQ 1000  
Combination bearings, combined, fixed,  
Ø 70.1 mm welded to attachment  
element 80 mm x 80 mm x 15 mm

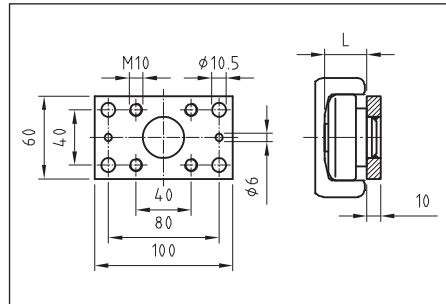
The rectangular attachment element is welded to the respective combination bearing as an assembly.  
Special dimensions on request.



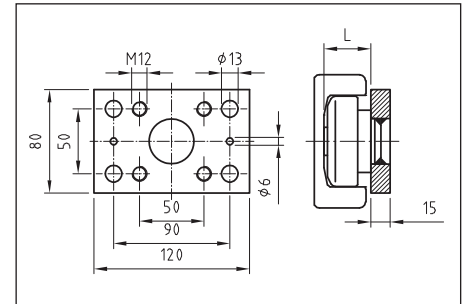
## Attachment element, rectangular



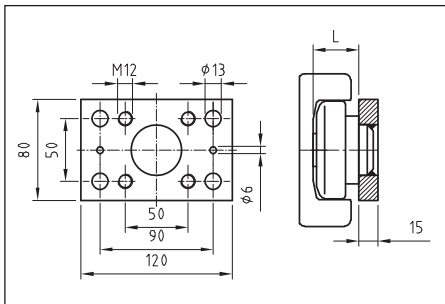
Bearing /profile: ZTR 050.---/ZBR 1100 Shim: ZBR 050.----



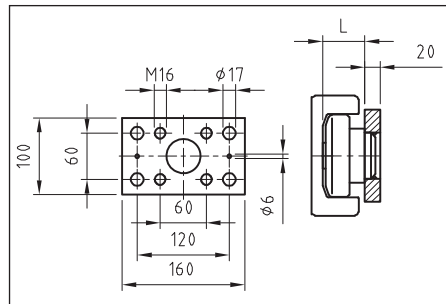
Bearing /profile: ZTR 060.---/ZBR 1100 Shim: ZBR 060.----



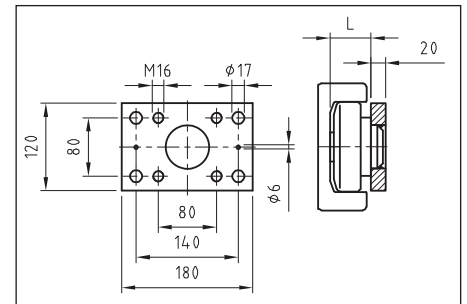
Bearing /profile: ZTR 070.---/ZBR 1100 Shim: ZBR 070.----



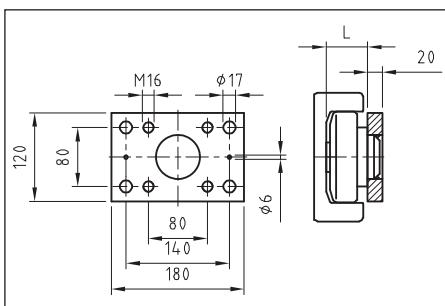
Bearing /profile: ZTR 080.---/ZBR 1100 Shim: ZBR 080.----



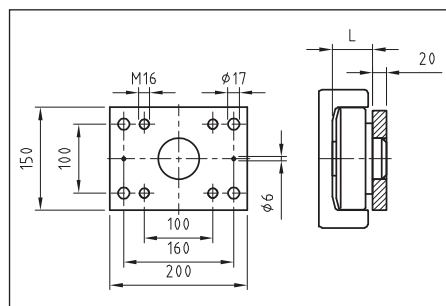
Bearing /profile: ZTR 090.---/ZBR 1100 Shim: ZBR 090.----



Bearing /profile: ZTR 110.---/ZBR 1100 Shim: ZBR 110.----



Bearing /profile: ZTR 120.---/ZBR 1100 Shim: ZBR 120.----



Bearing /profile: ZTR 150.---/ZBR 1100 Shim: ZBR 150.----

### Shims:



ZBR ---.1505 (0.5mm thick)  
ZBR ---.1510 (1.0mm thick)



#### Ordering example:

ZTR 070.0200 / ZBR 1100  
Combination bearings, combined, fixed,  
Ø 70.1 mm welded to attachment  
element 120 mm x 80 mm x 15mm