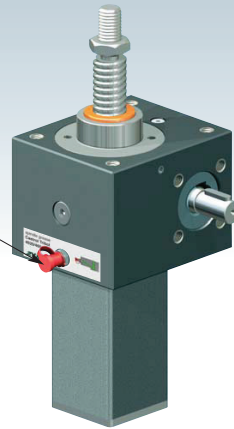
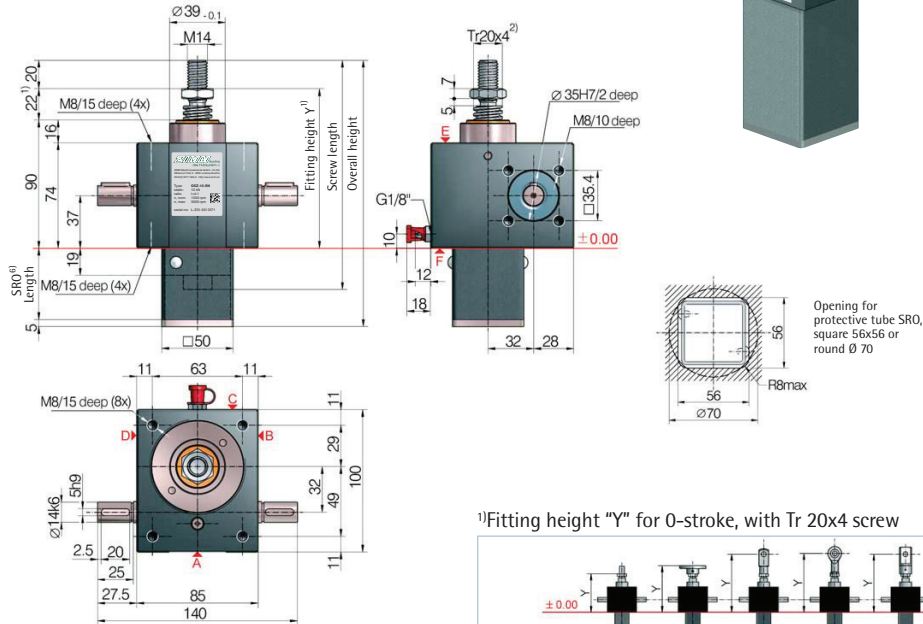




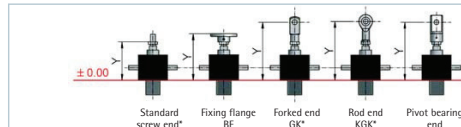
UNIQUE:  
Screw lubrication  
during operation



GSZ-10-S translating screw 10 kN



1) Fitting height "Y" for 0-stroke, with Tr 20x4 screw



All dimensions in mm					
Bel lows FB	Y	Y	Y	Y	Y
without bellows FB	112	133	168	173	168
Z-10-FB-340	193	189	249	254	224
Z-10-FB-700	213	209	269	274	244
Z-10-FB-1000	263	259	319	324	294

2) Protective tube length SRO with Tr 20x4 screw

Without escape/rotation protection	Escape/rotation protection	Rotation protection with limit switch set ES	Rotation protection with ES and KAR*
49+stroke	69+stroke	121+stroke	141+stroke

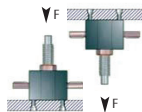
\*Hinged bearing plate KAR, fitted on face F (below).

Standard ratios

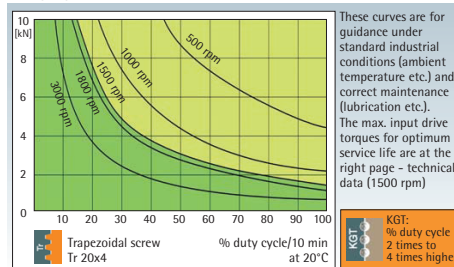
Type	Version	Speed	Standard screw <sup>2)</sup>	i	Stroke per drive shaft rotation <sup>3)</sup>
GSZ-10-SN	Translating	Normal	Tr 20x4	4:1	1.00 mm
GSZ-10-SL	screw	Low speed		16:1	0.25 mm
GSZ-10-RN	Rotating	Normal	Tr 20x4	4:1	1.00 mm
GSZ-10-RL	screw	Low speed		16:1	0.25 mm

Screw jack mounting

max. load: 10 kN compressive and tensile load  
Screw: M8, strength class 8.8  
Screw-in depth: 10 to 15 mm  
Tightening torque: 17 Nm  
Screw locking: with Loctite 243



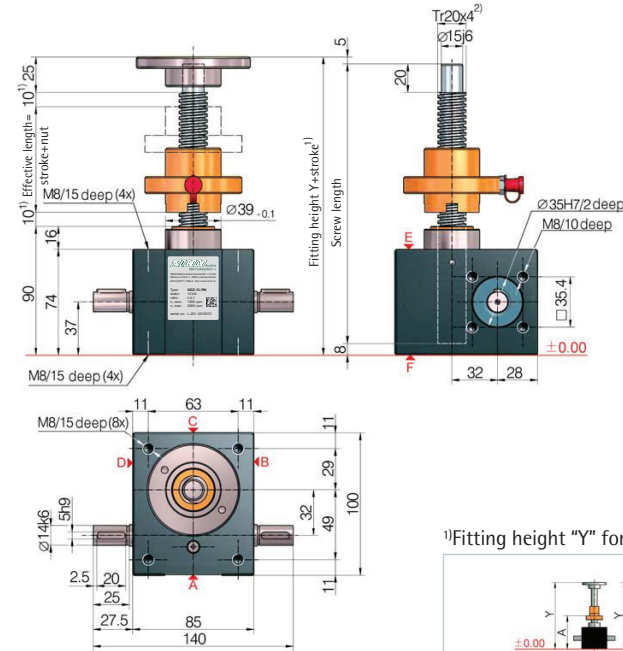
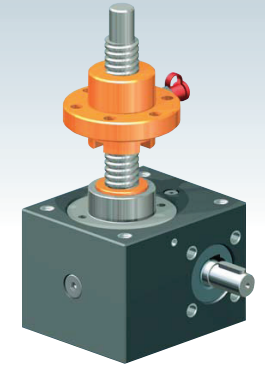
Duty cycle thermal limit, for S+R



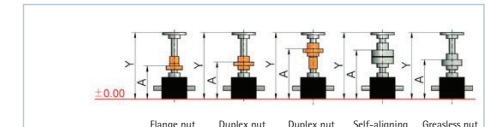
KTG: % duty cycle 2 times to 4 times higher



GSZ-10-R rotating screw 10 kN



1) Fitting height "Y" for 0-stroke, with Tr 20x4 screw



All dimensions in mm					
Bel lows FB	Y/A	Y/A	Y/A	Y/A	Y/A
without bellows FB	179/112	180/125	219/164	218/159	188/133
2x Z-10-FB-340	-	314/193	350/229	352/227	322/201
2x Z-10-FB-700	-	354/213	390/249	392/247	362/221
2x Z-10-FB-1000	-	454/263	490/299	492/297	462/271

Detailed instructions for determining the length can be found in Section 8

10 kN

Technical data series GSZ-10-S / GSZ-10-R

max. compressive/tensile force, static - 10 kN (1 t)  
max. compressive/tensile force, dynamic - see duty cycle curves  
Nominal speed - 1500 rpm  
max. drive shaft speed - 3000 rpm (depending on the load and duty cycle)  
Screw size standard - Tr 20x4<sup>2)</sup>  
Gear ratio - 4:1 (N) / 16:1 (L)  
Housing material - aluminium, corrosion-resistant  
Worm shaft - steel, case-hardened, ground  
Weight of screw jack body - 2.1 kg  
Weight of screw/m - 2 kg  
Gearbox lubrication - synthetic fluid grease  
Screw lubrication - grease lubrication  
Gearbox operating temperature - max. 60°C, higher on request  
Moment of inertia - N: 0.641 kg cm<sup>2</sup> / L: 0.271 kg cm<sup>2</sup>  
Input torque (at 1500 rpm) - max. 13.5 Nm (N) / max. 7.5 Nm (L)  
Drive-through torque - max. 57 Nm

Drive torque M<sub>0</sub> (Nm) - F (kN) x 0.64<sup>3)</sup> + M<sub>0</sub> (N-normal)  
- F (kN) x 0.20<sup>3)</sup> + M<sub>0</sub> (L-low speed)  
Breakaway torque - Drive torque M<sub>0</sub> x 1.5  
Idling torque<sup>4)</sup> M<sub>0</sub> (Nm) - 0.26 (N-normal) / 0.16 (L-low speed)  
Between gearbox and nut or nut and end of thread, provide for a safety distance of (minimum) 10 mm!  
See Section 7 for the checklist.  
Important information  
1) - extension if a bellows or spiral spring is fitted: see the table or Section 8  
2) - Tr 20x4 is standard, also available: double-pitch, stainless steel, left-handed, increased screw Tr 30x6 (only for the R version)  
3) - factor includes efficiency, ratio and 30% safety  
4) - at 20°C, can be higher when new  
5) - for a 4 mm screw pitch