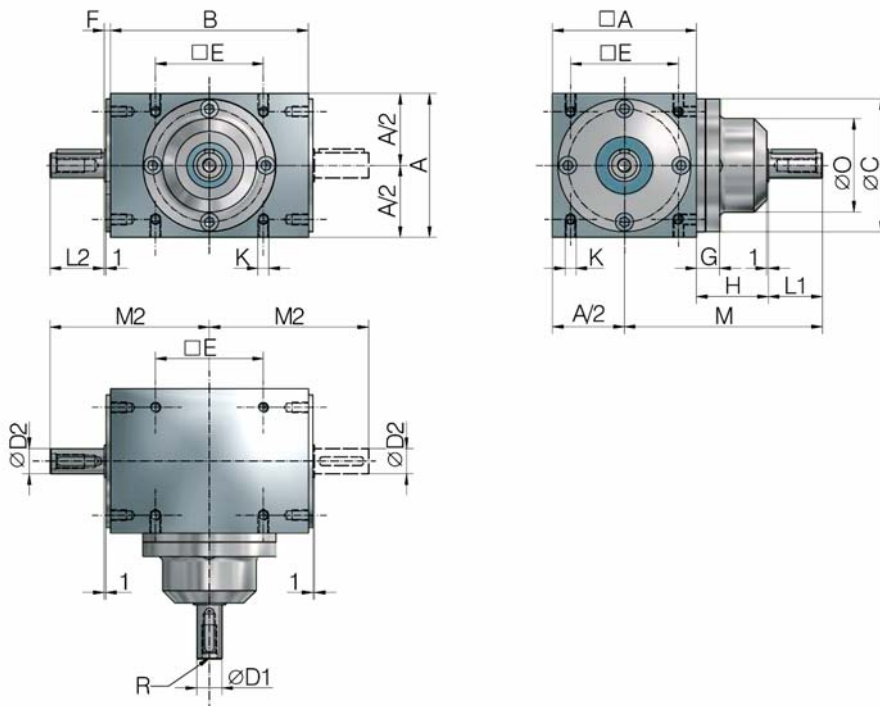


KST high-performance gearbox



If one of the shafts is vertical, this must be stated when ordering: e.g.: "vertical drive shaft"

CAUTION:

Dimensions are for a 1:1 drive ratio.
Dimensions may differ for other ratios.
Please ask for a dimension data sheet.

Gearbox size	□A	B	C ₁₇	D _{1j6}		□E	M	M ₂	L ₁		F	G	H	K	R	O	DIN 6885 key
				D _{2j6}					L ₂								
KST-000	60	73	59	12	46	89	66.0	23	5.5	11	36	M5	M5	42	4x4		
KST-00	80	110	74	14	60	110	88.5	30	2.5	13	40	M6	M6	52	5x5		
KST-01	110	145	102	22	82	135	111.0	35	2.5	14	45	M8	M8	70	6x6		
KST-A1	140	175	130	32	105	165	137.0	45	3.5	14	50	M10	M10	90	10x8		
KST-B1	170	215	160	42	130	210	172.0	60	3.5	18	65	M12	M12	110	12x8		
KST-C1	210	260	195	55	160	275	220.0	85	4.0	18	85	M16	M16	135	16x10		
KST-D1	260	330	245	65	200	340	270.0	100	4.0	23	110	M16	M16	150	18x11		
KST-E1	330	430	310	75	260	435	340.0	120	4.0	29	150	M20	M20	230	20x12		

$$K_{\text{deep}} = K \cdot 1.5$$

Quality features

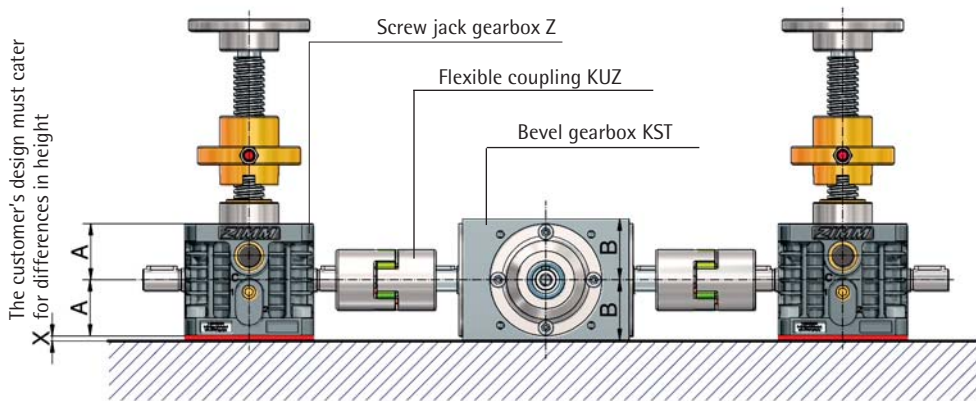
- Extremely quiet operation
- Maintenance-free, with minimum backlash
- High torques in relation to size
- High duty factor or continuous operation
- High concentricity
- Suitable for the most demanding applications

Manufacturing features

- Spiral bevel gears, palloid-toothed, case-hardened, precision lapped as pairs
- Tooth contact mechanically adjusted to +/- 15µ
- Roller bearings tested for noise
- GD250 (Meehanite) cast-iron housing, low-distortion with good torsional stiffness
- Radial shaft seals with dust lip

- Oil filling: synthetic oil HT68, permanent lubrication
- Standard drive ratio $i = 1:1$, other ratios on request
(CAUTION: Dimensions may change)

KST high-performance gearbox



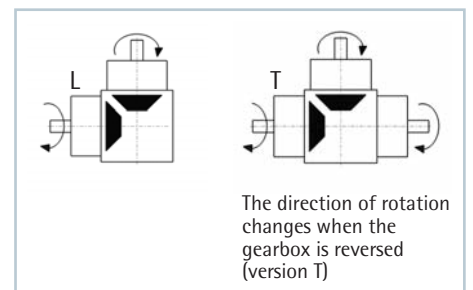
Size	Permissible torque [Nm]			Permissible radial load F_R [N] at the shaft end		Weight [kg]
	max. M_d	1500 rpm	3000 rpm	d_1	d_2	
KST-00	80	28	20	300	300	5
KST-01	200	65	50	1100	1100	11
KST-A1	380	130	95	1500	2700	21
KST-B1	620	230	160	2000	3700	36
KST-C1	1200	390	-	3250	5000	64
KST-D1	2000	740	-	3800	7500	124
KST-E1	3500	1300	-	4500	9200	250

Special instructions:

If the duty factor is more than 20% and the speed is more than 3000 rpm, you should specify a grease and oil level inspection glass when ordering.

The KST bevel gearbox is available on request with drive ratios of 1:2 (higher output speed) to 6:1 (lower output speed) and as a flanged gearbox for direct attachment to your motor or servomotor.

Shaft configuration



Ordering example:

KST-01-L-1:1

Bevel gearbox
spiral-toothed
Size
T or L shaft configuration
Drive ratio 1:1 (other ratios on request)