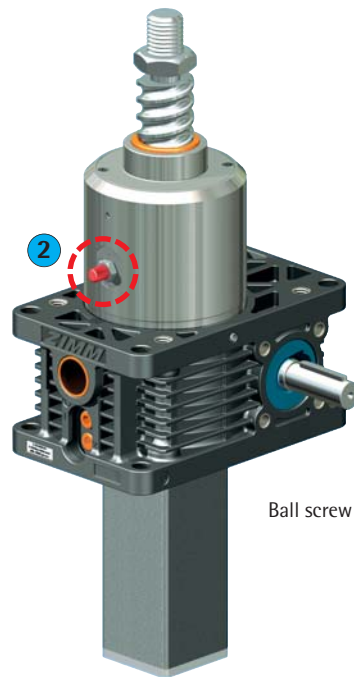
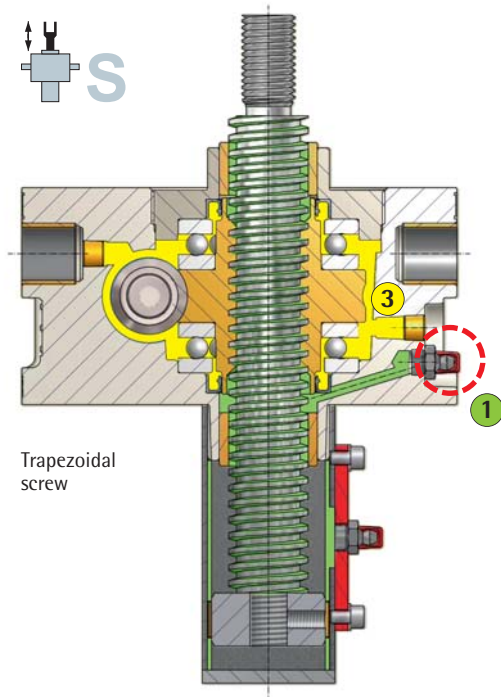
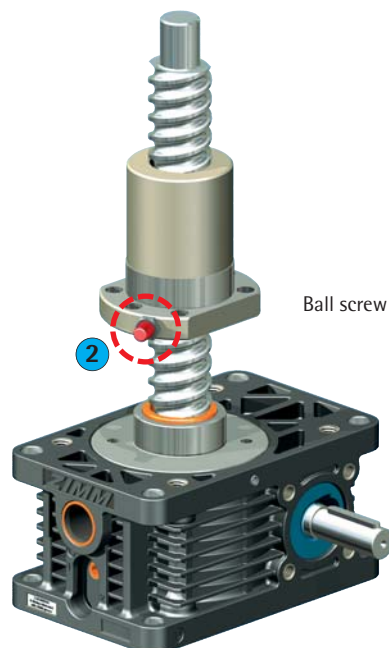
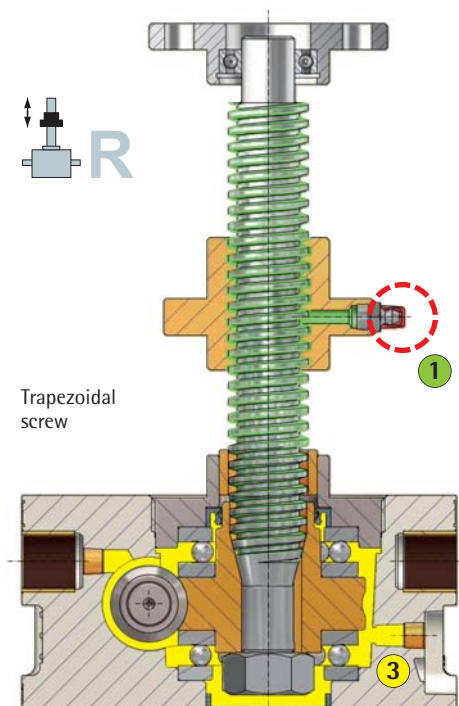


Innovative separate lubrication



i The separate lubrication system is essential for high performance.

- 1** The **INNOVATION**: Screw lubrication **during operation** provides optimum grease distribution.
- 2** The same **INNOVATION** is also available for the ball screw version (KGT).



- 1** Screw lubrication **during operation** provides optimum grease distribution.
- 2** The same lubrication system is also available for the ball screw version (KGT).



Screw lubrication

1 Trapezoidal screw

Inspect the trapezoidal screw regularly and regrease it depending on the operating cycle. Use the grease that we recommend. These greases are ideally matched to the operating requirements of our screw jack systems.



2 Ball screw KGT

Lubricate the ball screw KGT every 300 hours of effective operation. For heavy-duty systems every 100 hours.

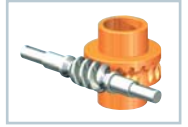


Grease quantity: Guidance value approx. 1 ml per cm screw diameter.

Gearbox lubrication

3 Gearbox lubrication

The gearbox is sealed and is filled with high-performance synthetic grease (gearboxes from Z-250 are oil-filled). The gearbox is lubricated for life in normal operation.



See Section 4 for the list of lubricants.

Cartridge 400 g



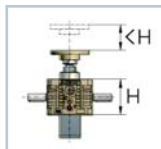
Lubricator
Z-LUB, ZIMM lubricator



Lubrication for short stroke applications

S version:

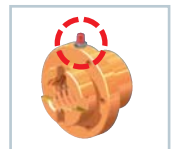
For short stroke applications (stroke < gearbox height), take particular care to ensure lubrication of the trapezoidal screw.



The simplest tactic is to specify the screw jack with a longer stroke than the gearbox height, and periodically perform a lubrication stroke. Otherwise, contact our Engineering Department for a suitable solution.

R version:

If stroke length < nut height, use a nut with lubrication capability (such as a duplex nut DM).



General

Special lubricants

For special applications and for the earlier MSZ gearboxes we can offer suitable lubricants in each case.

These include amongst others:

- High-temperature grease
- Low-temperature grease
- Food grade grease
- Clean room grease, etc.

Other greases, contamination

Using multipurpose greases and other greases can significantly impair operation and shorten the service life.

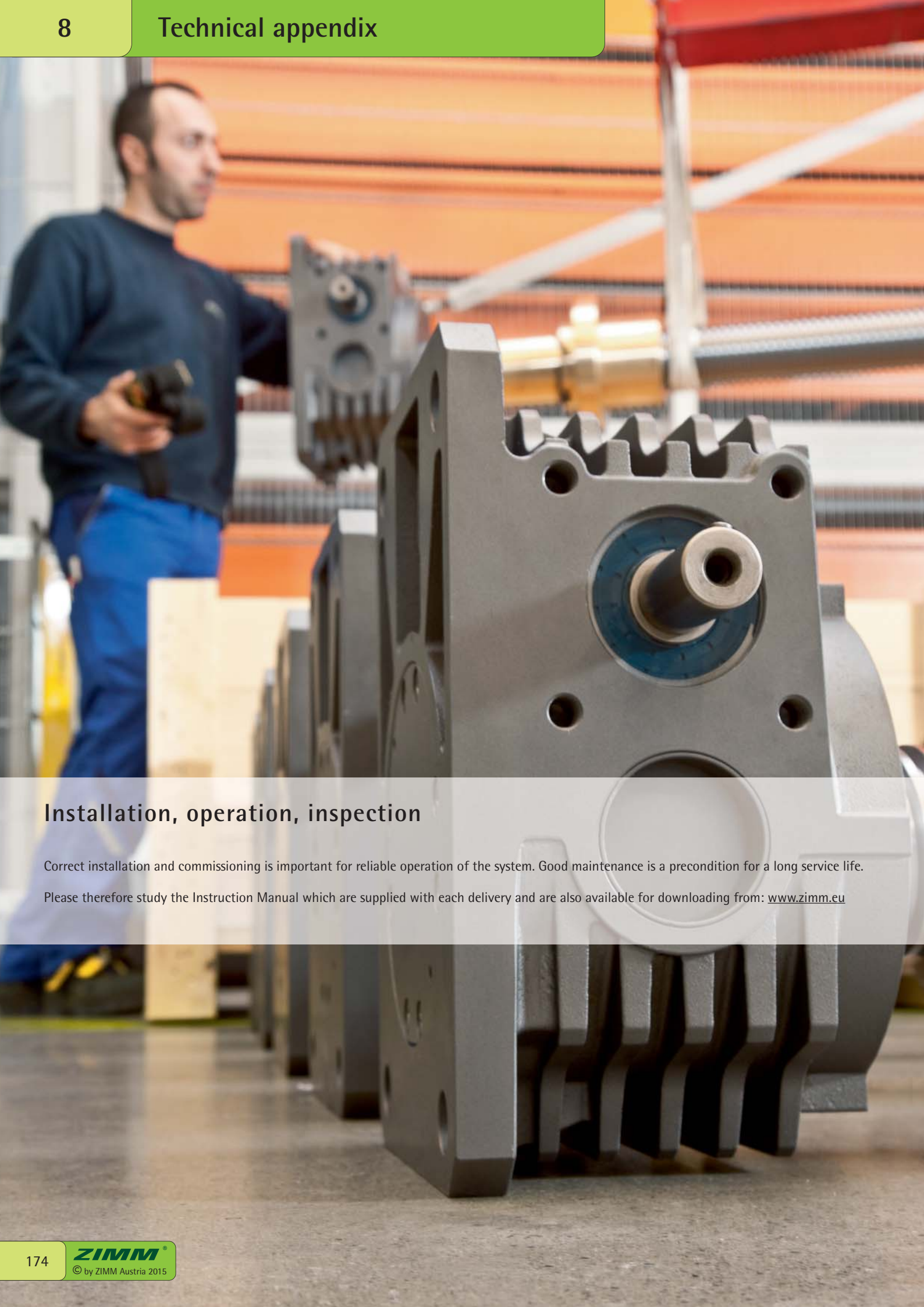
If the screw becomes dirty, clean and regrease it.

Long-life systems

The grease used in long-life systems (such as working platforms and theatre stages) loses its lubricating properties after about 5 years.

Dust and dirt penetration intensify this effect. We recommend complete cleaning and regreasing after 5 years.

If mineral greases are used, this may be necessary after only 2-3 years.



Installation, operation, inspection

Correct installation and commissioning is important for reliable operation of the system. Good maintenance is a precondition for a long service life.

Please therefore study the Instruction Manual which are supplied with each delivery and are also available for downloading from: www.zimm.eu



Operational reliability and safety

Operational reliability and safety
Operational reliability and safety are just as important for industrial systems as for theatre stages and other systems.



Design and specification

During the design and specification phase, pay special attention to the load capacity of the drives and accessories in their proposed installation situation. Plan your system with appropriate safety for attachment, movement and transport elements.

Please note the design advice given in Section 8.

Where the system is safety-relevant, fit a safety nut SIFA. If the nut thread is stripped due to wear, the SIFA takes the load. An electronic control is available on request.



Installation

Correct and careful installation is essential for trouble-free and safe system operation. Please refer to our instruction manual included with each delivery. You can download these from the Internet at www.zimm.eu



Inspection and maintenance

Regular inspection and maintenance are necessary to maintain reliability.

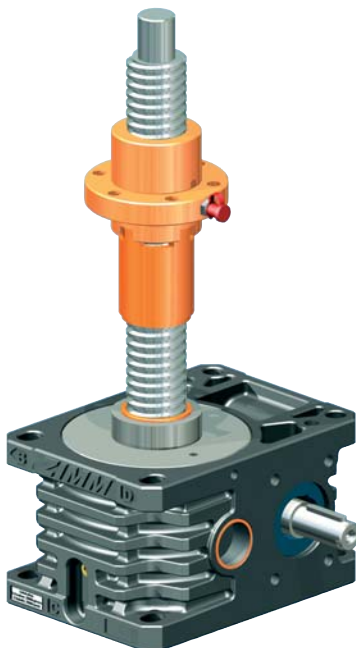


Check the following during the regular inspections:

Visual condition, attachments and connections, wear on the trapezoidal thread and the level of lubrication. Comply with our lubrication instructions and use only the lubricants we recommend. Please consider our automatic lubricator Z-LUB.

Spare parts

To protect against loss of production caused by high duty cycles or high loads, we recommend keeping a set of screw jack spare parts (including screws, accessories and with assembly drawings) at your location or at your customer's location. A screw jack can most economically be repaired by a complete exchange.



Screw jack with safety nut SIFA



ZIMM Instruction Manual in other languages and for special products are available on request or by downloading from www.zimm.eu