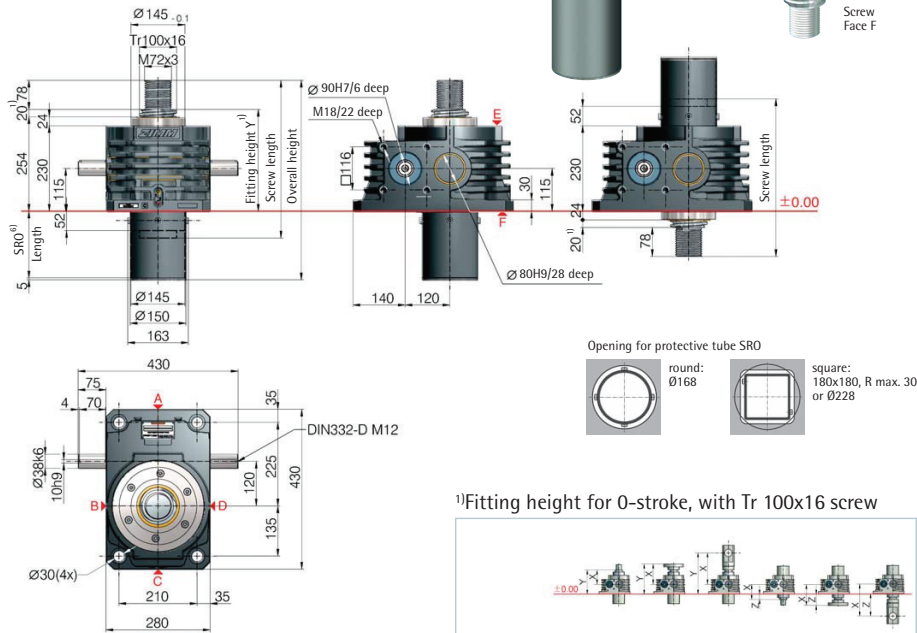




Z-350-S translating screw 350 kN



Protective tube length SRO with Tr 100x16 screw

only screw	with escape protection AS	with rotation protection VS	with VS and limit switch set ES
107+stroke	142+stroke	142+stroke	166+stroke

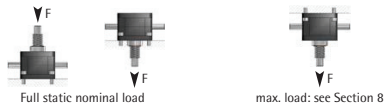
Fitting height for 0-stroke, with Tr 100x16 screw

All dimensions in mm		BF		SLK		BF		SLK	
Bel lows FB	X/Y	X/Y	X/Y	X/Z	X/Z	X/Z	X/Z	X/Z	X/Z
without bellows FB	159/274	239/354	354/469	159/44	239/124	354/239			
Z-350-FB-600	262/377	317/432	432/547	262/147	317/202	432/317			
Z-350-FB-900	270/385	325/440	440/555	270/155	325/210	440/325			
Z-350-FB-1500	342/457	397/512	512/627	342/227	397/282	512/397			

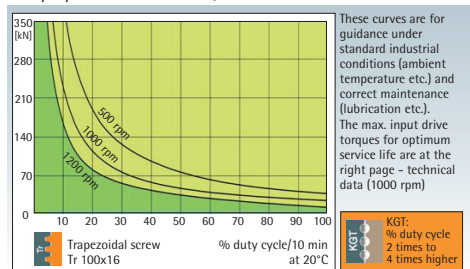
Standard ratios

Type	Version	Speed	Standard screw ¹⁾	i	Stroke per drive shaft rotation ²⁾
Z-350-SN	Translating screw	Normal	Tr 100x16	10.66:1	1.5 mm
Z-350-SL	Low speed	Low speed	Tr 100x16	32:1	0.5 mm
Z-350-RN	Rotating screw	Normal	Tr 100x16	10.66:1	1.5 mm
Z-350-RL	Low speed	Low speed	Tr 100x16	32:1	0.5 mm

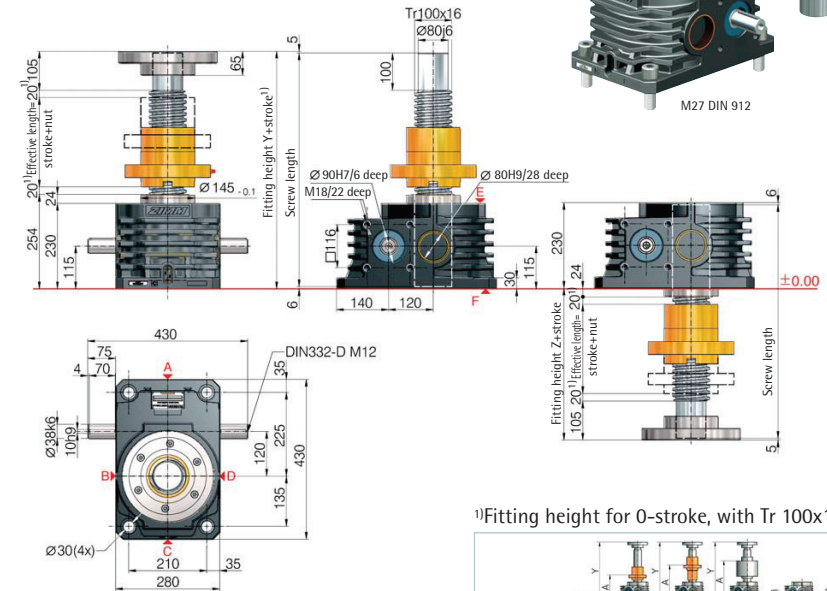
Screw jack mounting



Duty cycle thermal limit, for S+R



Z-350-R rotating screw 350 kN



Fitting height for 0-stroke, with Tr 100x16 screw

Fitting height for 0-stroke, with Tr 100x16 screw

All dimensions in mm		DM		DM with SIFA		DM		DM with SIFA		DM	
Bel lows FB	Y/A	Y/A	Y/A	Z/B	Z/B	Z/B	Z/B	Z/B	Z/B	Z/B	Z/B
without bellows FB	559/334	669/444	674/509	329/144	439/144	444/84					
2x Z-350-FB-600	677/412	781/516	792/587	447/222	557/222	562/162					
2x Z-350-FB-900	693/420	797/524	808/595	463/230	573/230	578/170					
2x Z-350-FB-1500	837/492	941/596	952/667	607/302	717/302	722/242					

Detailed instructions for determining the length can be found in Section 8

350 kN

Technical data series Z-350-S / Z-350-R

max. compressive/tensile force, static - 350 kN (35 t)
 max. compressive/tensile force, dynamic - see duty cycle curves
 Nominal speed - 1000 rpm
 max. drive shaft speed - 1200 rpm
 Screw size standard - Tr 100x16²⁾
 Gear ratio - 10.66:1 (N) / 32:1 (L)
 Housing material - GGG-50, corrosion-resistant
 Worm shaft - steel, case-hardened, ground
 Weight of screw jack body - 112 kg
 Weight of screw/m - 52 kg
 Gearbox lubrication - synthetic gear oil
 Screw lubrication - grease lubrication
 Gearbox operating temperature - max. 60°C, higher on request
 Moment of inertia - N: 148.9 kg cm² / L: 66.1 kg cm²
 Input torque (at 1000 rpm) - max. 265 Nm (N) / max. 100 Nm (L)
 Drive-through torque - max. 1800 Nm

Drive torque M₀ (Nm) - F (kN) x 1.09³⁾ + M₀ (N-normal)
 - F (kN) x 0.42³⁾ + M₀ (L-low speed)
 Breakaway torque - Drive torque M₀ x 1.5
 Idling torque⁴⁾ M₀ (Nm) - 3.24 (N-normal) / 2.20 (L-low speed)
 Between gearbox and nut or nut and end of thread, provide for a safety distance of (minimum) 20 mm!
 See Section 7 for the checklist.

Important information
 1) - extension if a bellows or spiral spring is fitted: see the table or Section 8
 2) - Tr 100x16 is standard, also available: double-pitch, stainless steel, left-handed, increased screw Tr 120x16 (only for the R version)
 3) - factor includes efficiency, ratio and 30% safety
 4) - at 20°C, can be higher when new
 5) - for a 16 mm screw pitch